

# IPM21-TWK 21,5“ Touchscreen-Monitor



## Overview:

- Touchscreen-Monitor
- 21,5" wideangledisplay (89/89/89/89)
- capacitive Multitouch, frameless
- aluminium-Frontpanel
- interfaces: VGA, HDMI, Audio-in
- rear clamping system or VESA 75 / 100

## Description:

The IPM21-TWK touchscreen monitors are used in industrial applications or information terminals. The monitors can be easily integrated into existing front panels or control consoles. Installation is carried out using a rear clamping system in a panel cut-out. This allows the monitors to be easily installed as replacement units in existing systems. Alternatively, the devices can be mounted on support arms or similar structures using the VESA mounting interface. The robust units are suitable for operation in even the harshest environments and are designed for 24-hour continuous use. They are equipped with displays offering a wide viewing angle of 89/89/89/89°, ensuring excellent readability. Power is supplied via an external power adapter. Standard interfaces include analog VGA, HDMI, and USB for the touchscreen connection. The touchscreen is available in capacitive version.

## Technical Data:

### **equipment:**

panelmonitor, 21,5" TFT / LCD, Touchscreen

### **resolution:**

max. 1920x1080

### **Brightness:**

min. 250cd/qm

### **Interfaces:**

VGA, HDMI (DVI via Adapter), Audio in  
HDMI-cable included

### **Contrast:**

1000:1

### **settings:**

via On Screen Menü

### **power supply:**

12 VDC via external power adapter widerange  
100-240 VAC

### **MTBF:**

Backlights min. 30000h

### **controls:**

capacitive 10-finger multitouchscreen, frameless

### **Mechanical Dimensions:**

robustes aluminium- / steelcase:

326 x 528 x 55 mm

frontplate aluminium: 346 x 548 mm

### **environmental conditions:**

operatiing temperatur 0-50°C

humidity: 10 - 80 % ,

non-condensing

### **protection class:**

front IP 65

### **certificates:**

CE/ FCC/ RoHS

## orderinformation:

**10050419** IPM21-TWK Panelmonitor

# IPM21-TWK 21,5"

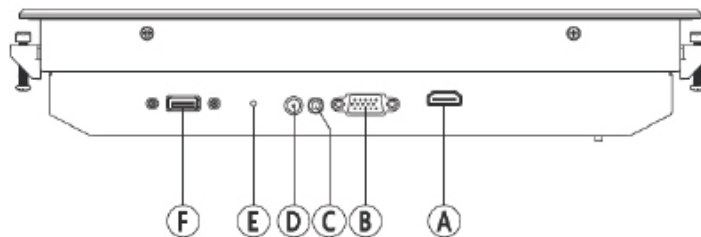
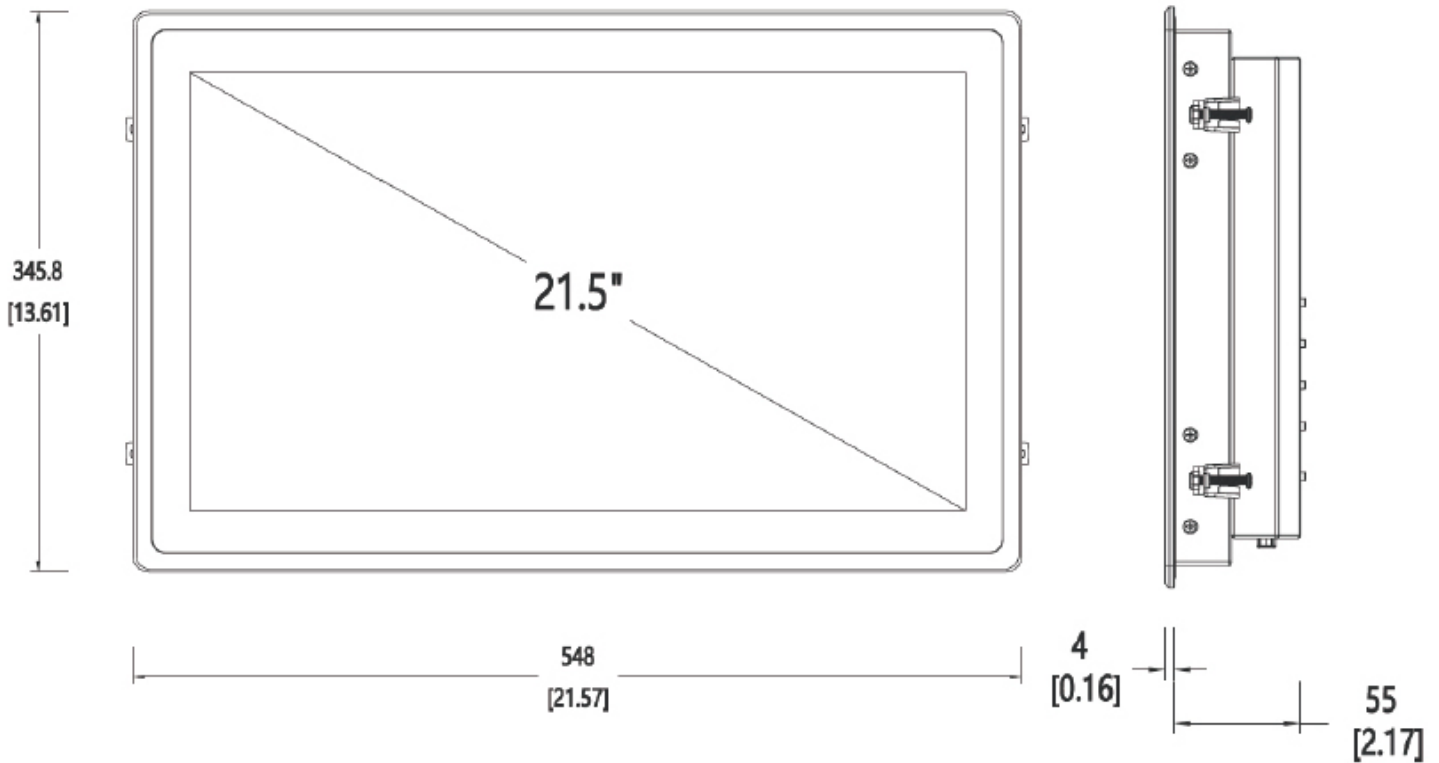
Touchscreen-Monitor



## dimensions in mm [inch]:

Frontview

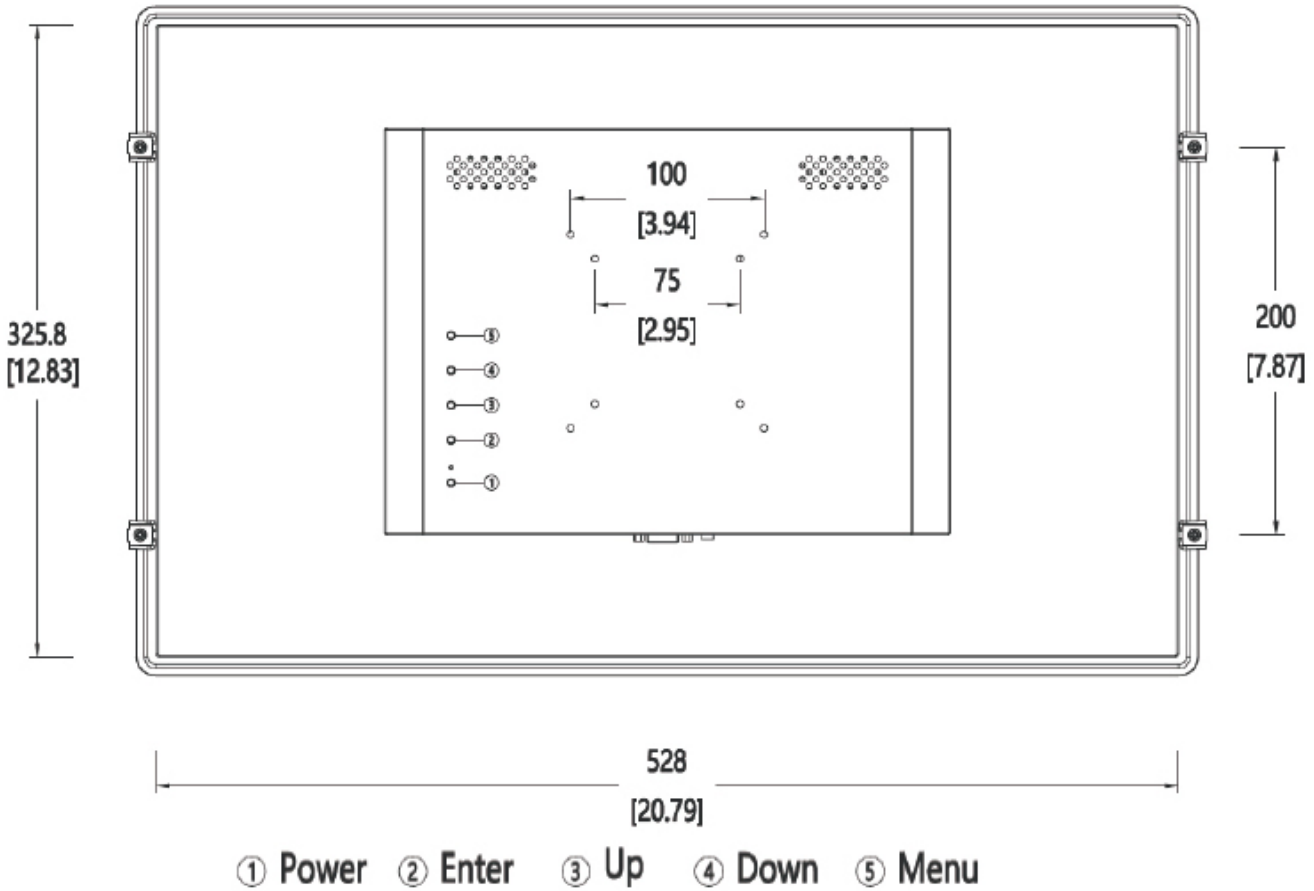
Sideview



- Ⓐ HDMI   Ⓑ VGA   Ⓒ AUDIO IN   Ⓓ DC12V   Ⓔ Ground   Ⓕ USB for touch

## dimensions in mm [inch]:

rearview



cutout

