

IPM15-TW 15"

Touchscreen-Monitor



Overview:

- Touchscreen-Monitor
- 15" wide angled display (89/89/89/89)
- 5-wire resistive or capacitive Multitouch, frameless
- aluminium-Frontpanel
- interfaces: VGA, HDMI, Audio-in
- rear clamping system or VESA 75 / 100

Description:

The IPM15-TW touchscreen monitors are used in industrial applications or information terminals. The monitors can be easily integrated into existing front panels or control consoles. Installation is carried out using a rear clamping system in a panel cut-out. This allows the monitors to be easily installed as replacement units in existing systems. Alternatively, the devices can be mounted on support arms or similar structures using the VESA mounting interface. The robust units are suitable for operation in even the harshest environments and are designed for 24-hour continuous use. They are equipped with displays offering a wide viewing angle of 85/85/85/85°, ensuring excellent readability. Power is supplied via an external power adapter. Standard interfaces include analog VGA, HDMI, and USB for the touchscreen connection. The touchscreen is available in either resistive or capacitive versions.

Technical Data:

equipment:

panelmonitor, 15" TFT / LCD, Touchscreen

resolution:

max. 1024x768

Brightness:

min. 350cd/qm

Interfaces:

VGA, HDMI, Audio in
HDMI-cable included

Contrast:

1000:1

settings:

via On Screen Menü

power supply:

12 VDC via external power adapter widerange
100-240 VAC

MTBF:

Backlights min. 30000h

controls:

5-wire resistive or capacitive 10-finger multitouch-screen, frameless

Mechanical Dimensions:

robustes aluminium- / steelcase:

280 x 356 x 55 mm

frontplate aluminium: 300 x 376 mm

environmental conditions:

operating temperatur 0-50°C

humidity: 10 - 80 % ,

non-condensing

protection class:

front IP 65

certificates:

CE/ FCC/ RoHS

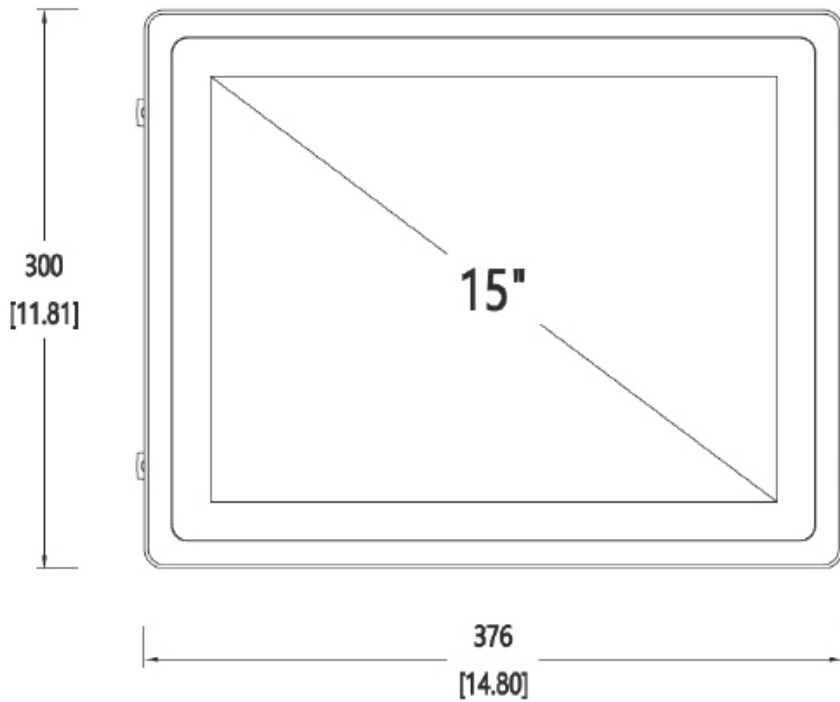
order information:

10050415 IPM15-TWK Panelmonitor

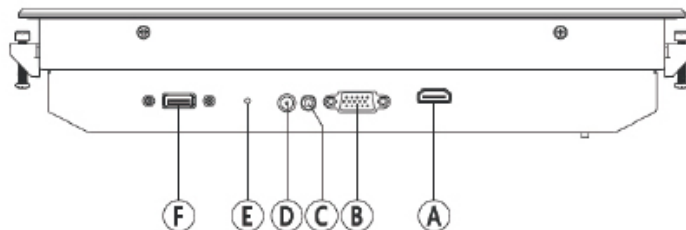
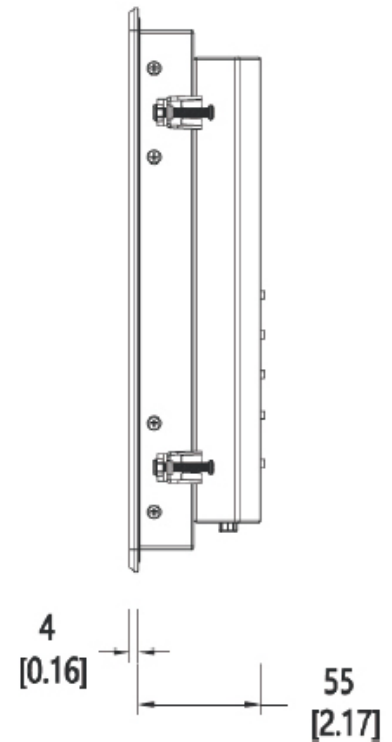
10050416 IPM155-TWR Panelmonitor

dimensions in mm [inch]:

Frontview



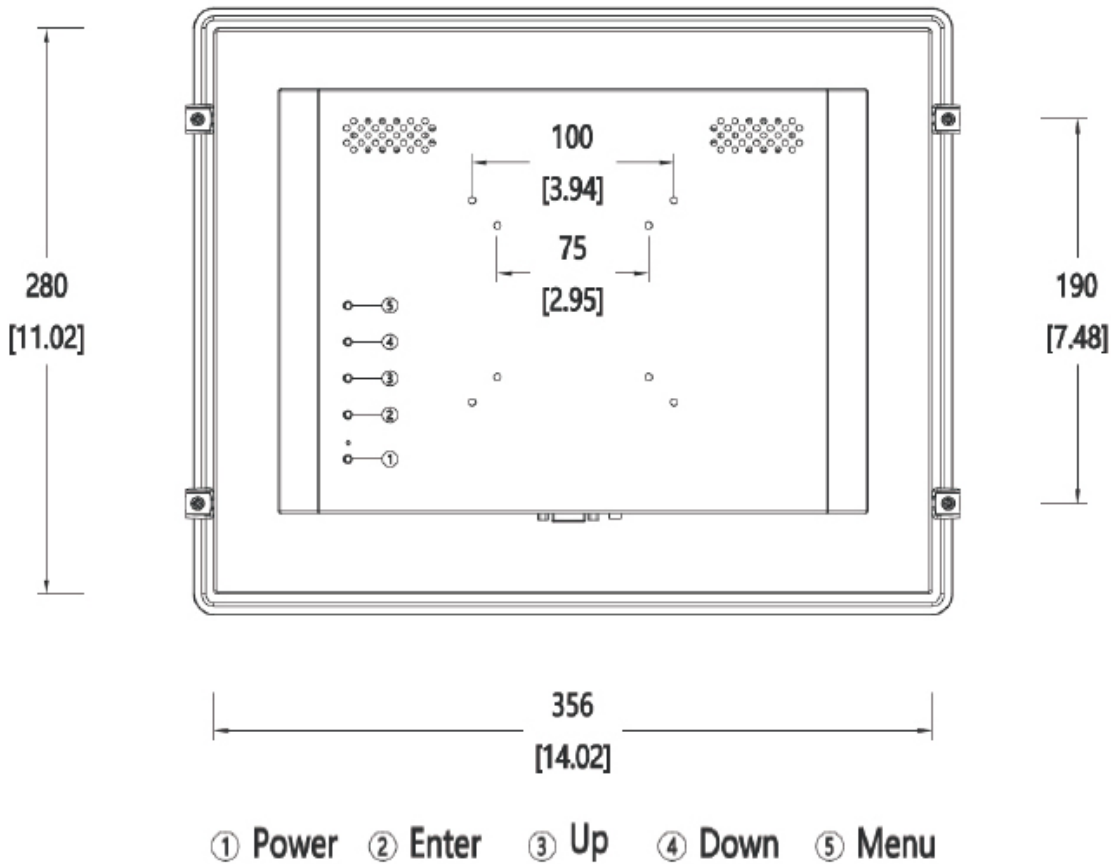
Sideview



- Ⓐ HDMI Ⓑ VGA Ⓒ AUDIO IN Ⓓ DC12V Ⓔ Ground Ⓕ USB for touch

dimensions in mm [inch]:

rearview



cutout

