



### Overview:

- various Intel® processors applicable
- screen size 21,5"
- SSD or 2,5" HD
- up to 16 GB RAM / 64 GB RAM
- 2 x Ethernet / dual LAN
- mounting via clamping system or VESA 75 / 100
- capacitive Multitouch
- optional WiFi/ Bluetooth

### Description:

The IPC-P21-T panel PCs are featuring a 21,5" TFT display including touchscreen and are ideally suited for larger machine visualizations. The system operates fanless and can be equipped with various processors. Linux and Windows are available as operating systems. Customized configurations can be manufactured cost-effectively even in small quantities. Mounting via rear clamping system in a panel cutout. In addition, the devices can be mounted via VESA on support arms or similar mounting systems.

### Technical data:

#### **Overview:**

Panel-PC, 21,5" TFT / LCD, Touchscreen

#### **resolution:**

1920x1080

#### **storage:**

SSD (standard 128GB) or 2,5" HD

#### **Interface:**

6x USB, 6x RS232 COM, Gigabit LAN 2x  
VGA, HDMI, Audio out

#### **Software:**

Windows, Linux

#### **ventilation:**

fanless

#### **power supply:**

12VDC via external wide-range-power supply  
100-240VAC

#### **mounting:**

via rear clamping system or VESA 75/100

#### **control:**

touchscreen capacitive

#### **mechanical dimensions:**

case: ca. 528x326x60 mm

Frontpanel: ca. 548x346x4 mm, silver anodised

#### **case:**

Aluminum cooling cover and metal enclosure

#### **environmental temperature:**

Operating: -10-50°C with 10-90% Humidity Range

#### **protection class:**

front IP65 and back IP40

#### **Certification:**

CE/ FCC/RoHS

### part numbers:

**10060393** Option RAM 16GB

**10060395** Option SSD 256GB or higher

**10060396** Option HDD 500GB or higher

**10060397** Option WIFI / Bluetooth

**10060398** Option external fan

**10060399** Option 1x RS485 / 422

# IPC-P21-T

## Panel-PC 21,5"



### Processors:

**Intel® Celeron / Chipset: Elkhart Lake**  
J6412 (4 cores 2.0 GHz)

**Intel® Core (gen. 6th/7th) / Chipset: Skylake / Kabylake**

i3-6006U / 7020U (2 cores 2.0 / 2.3GHZ)  
i5-6200U / 7200U (2 cores 2.3 / 2.5GHZ)  
i7-6500U / 7500U (2 cores 2.5 / 2.7GHZ)

**Graphic:**  
Graphic Intel® HD

**Storage:**  
SO-DIMM max. 16GB (standard 8GB)

### part numbers:

**1006xxxx** IPC-P21-T Intel Celeron J6412

**1006xxxx** IPC-P21-T Intel i3 6006U  
**10060248** IPC-P21-T Intel i3 7020U

**1006xxxx** IPC-P21-T Intel i5 6200U  
**10060249** IPC-P21-T Intel i5 7200U

**1006xxxx** IPC-P21-T Intel i7 6500U  
**10060250** IPC-P21-T Intel i7 7500U

**Intel® Core (gen. 11th) / Chipset: Tigerlake**

i3-1115G4 (2 cores 3.0GHZ)  
i5-1135G7 (4 cores 2.4GHZ)  
i7-1165G7 (4 cores 2.8GHZ)

**Graphic:**  
Graphic Intel® HD

**Storage:**  
SO-DIMM max. 16GB (standard 8GB)

**10060269** IPC-P21-T Intel i3 1115G4

**10060270** IPC-P21-T Intel i5 1135G7

**10060271** IPC-P21-T Intel i7 1165G7

**Intel® Core (gen. 12th) / Chipset: Alder Lake**

i3-1210U / 1215U (6 cores 1.2GHZ)  
i5-1235U / 1245U (10 cores 1.6GHZ)  
i7-1255U / 1265U (10 cores 1.8GHZ)

**Graphic:**  
Graphic Intel® UHD

**Storage:**  
SO-DIMM max. 64GB (standard 8GB)

**1006xxxx** IPC-P21-T Intel i3 1210U

**1006xxxx** IPC-P21-T Intel i3 1215U

**1006xxxx** IPC-P21-T Intel i5 1235U

**1006xxxx** IPC-P21-T Intel i5 1245U

**1006xxxx** IPC-P21-T Intel i7 1255U

**1006xxxx** IPC-P21-T Intel i7 1265U

**Intel® Core (gen. 13th) / Chipset: Raptor Lake**

i3-1305U / 1315U (6 cores 1.2GHZ)  
i5-1335U / 1345U (10 cores 1.6GHZ)  
i7-1355U / 1365U (10 cores 1.8GHZ)

**Graphic:**  
Graphic Intel® UHD

**Storage:**  
SO-DIMM max. 64GB (standard 8GB)

**1006xxxx** IPC-P21-T Intel i3 1305U

**1006xxxx** IPC-P21-T Intel i3 1315U

**1006xxxx** IPC-P21-T Intel i5 1335U

**1006xxxx** IPC-P21-T Intel i5 1345U

**1006xxxx** IPC-P21-T Intel i7 1355U

**1006xxxx** IPC-P21-T Intel i7 1365U

**Intel® Core (gen. 14th) / Chipset: Meteor Lake**

Ultra 5-125U / 135U (12 cores 1.3GHZ)  
Ultra 7-155U / 165U (12 cores 1.7GHZ)

**Graphic:**  
Graphic Intel® Arc

**Storage:**  
SO-DIMM max. 64GB (standard 16GB)

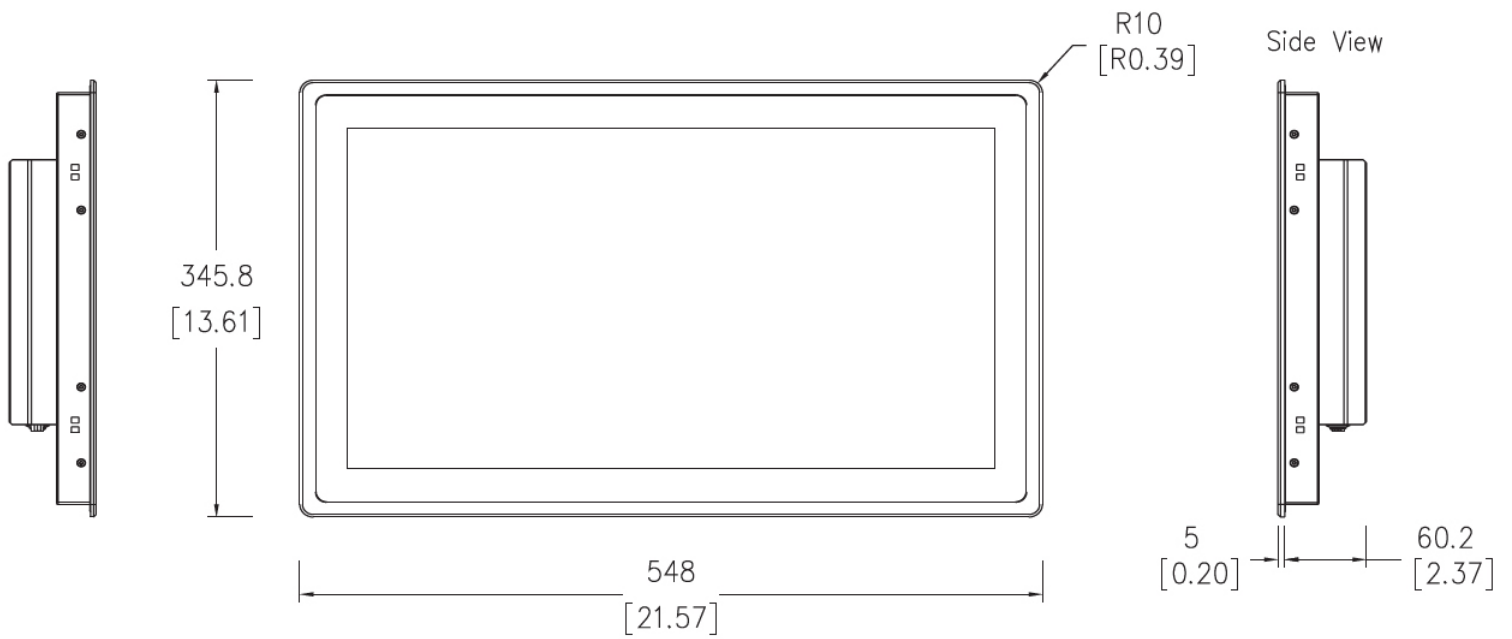
**1006xxxx** IPC-P21-T Intel Ultra 5 125U

**1006xxxx** IPC-P21-T Intel Ultra 5 135U

**1006xxxx** IPC-P21-T Intel Ultra 7 155U

**1006xxxx** IPC-P21-T Intel Ultra 7 165U

dimensions in mm [Inch]

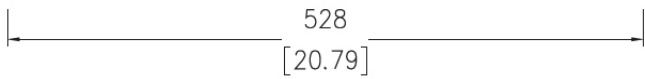
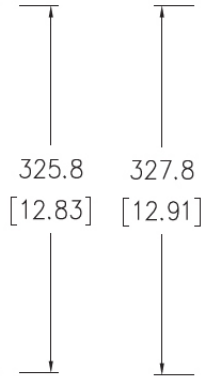
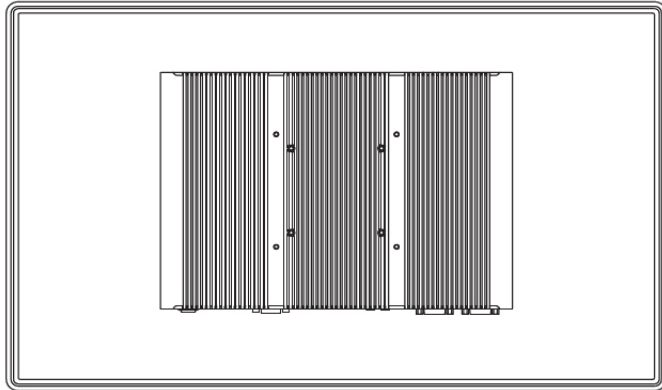


Bottom View

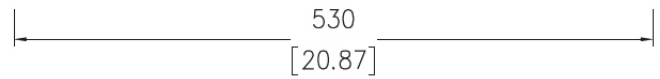
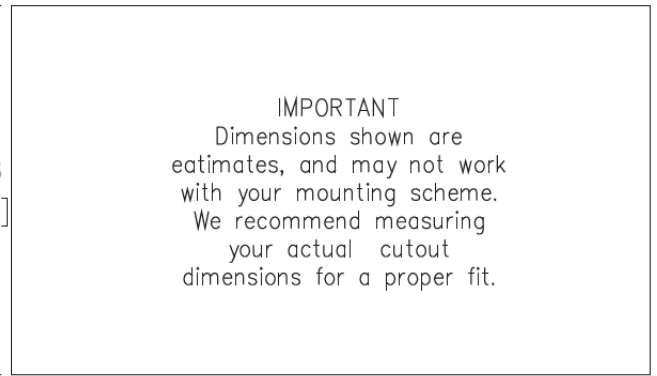


Top View

rear view



Cutout Dimension



**21.5"**

