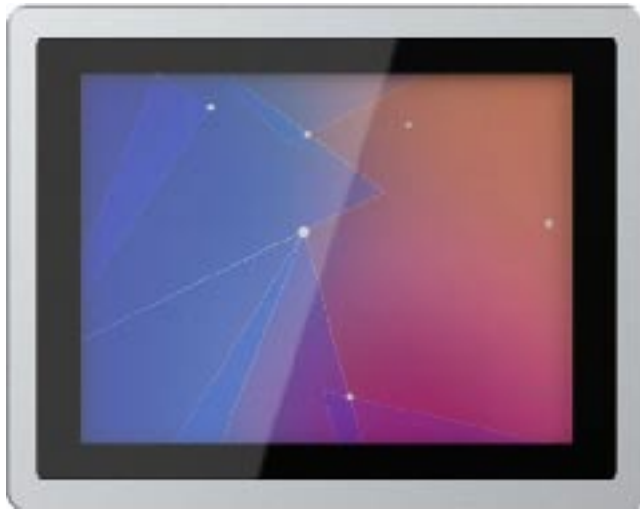


IPC-P12-T

Panel-PC 12,1"



Overview:

- various Intel® processors applicable
- screen size 12,1"
- SSD or 2,5" HD
- up to 16 GB RAM / 64 GB RAM
- 2 x Ethernet / dual LAN
- mounting via clamping system or VESA 75 / 100
- resistive Touchscreen 5-wire USB or capacitive Multitouch
- optional WiFi/ Bluetooth

Description:

The IPC-P12-T panel PCs are compact devices featuring a 12,1" TFT display including touch-screen and are ideally suited for smaller machine visualizations. The system operates fanless and can be equipped with various processors. Linux and Windows are available as operating systems. Customized configurations can be manufactured cost-effectively even in small quantities. Mounting via rear clamping system in a panel cutout. In addition, the devices can be mounted via VESA on support arms or similar mounting systems.

Technical data:

Overview:

Panel-PC, 12,1" TFT / LCD, Touchscreen

resolution:

1024x768

storage:

SSD (standard 128GB) or 2,5" HD

Interface:

6x USB, 6x RS232 COM, Gigabit LAN 2x
VGA, HDMI, Audio out

Software:

Windows, Linux

ventilation:

fanless

power supply:

12VDC via external wide-range-power supply
100-240VAC

mounting:

via rear clamping system or VESA 75/100

control:

touchscreen resistive / optional capacitive

mechanical dimensions:

case: 300x234x60 mm

frontpanel 320x254x4 mm, silver anodised

case:

Aluminum cooling cover and metal enclosure

environmental temperature:

Operating: -10-50°C with 10-90% Humidity Range

protection class:

front IP65 and back IP40

Certification:

CE/ FCC/RoHS

part number:

10060391 Option capacitive Multitouch (10 Finger)

10060393 Option RAM 16GB

10060395 Option SSD 256GB or higher

10060396 Option HDD 500GB or higher

10060397 Option WIFI / Bluetooth

10060398 Option external fan

10060399 Option 1x RS485 / 422

IPC-P12-T

Panel-PC 12,1"



Processors:

Intel® Celeron / Chipset: Elkhart Lake
J6412 (4 cores 2.0 GHz)

Intel® Core (gen. 6th/7th) / Chipset: Skylake / Kabylake

i3-6006U / 7020U (2 cores 2.0 / 2.3GHZ)
i5-6200U / 7200U (2 cores 2.3 / 2.5GHZ)
i7-6500U / 7500U (2 cores 2.5 / 2.7GHZ)

Graphic:
Graphic Intel® HD

Storage:
SO-DIMM max. 16GB (standard 8GB)

Part number:

1006xxxx IPC-P12-T Intel Celeron J6412

1006xxxx IPC-P12-T Intel i3 6006U

1006xxxx IPC-P12-T Intel i3 7020U

1006xxxx IPC-P12-T Intel i5 6200U

1006xxxx IPC-P12-T Intel i5 7200U

1006xxxx IPC-P12-T Intel i7 6500U

1006xxxx IPC-P12-T Intel i7 7500U

Intel® Core (gen. 11th) / Chipset: Tigerlake

i3-1115G4 (2 cores 3.0GHZ)
i5-1135G7 (4 cores 2.4GHZ)
i7-1165G7 (4 cores 2.8GHZ)

Graphic:
Graphic Intel® HD

Storage:
SO-DIMM max. 16GB (standard 8GB)

10060254 IPC-P12-T Intel i3 1115G4

10060255 IPC-P12-T Intel i5 1135G7

10060256 IPC-P12-T Intel i7 1165G7

Intel® Core (gen. 12th) / Chipset: Alder Lake

i3-1210U / 1215U (6 cores 1.2GHZ)
i5-1235U / 1245U (10 cores 1.6GHZ)
i7-1255U / 1265U (10 cores 1.8GHZ)

Graphic:
Graphic Intel® UHD

Storage:
SO-DIMM max. 64GB (Standard 8GB)

1006xxxx IPC-P12-T Intel i3 1210U

1006xxxx IPC-P12-T Intel i3 1215U

1006xxxx IPC-P12-T Intel i5 1235U

1006xxxx IPC-P12-T Intel i5 1245U

1006xxxx IPC-P12-T Intel i7 1255U

1006xxxx IPC-P12-T Intel i7 1265U

Intel® Core (gen. 13th) / Chipset: Raptor Lake

i3-1305U / 1315U (6 cores 1.2GHZ)
i5-1335U / 1345U (10 cores 1.6GHZ)
i7-1355U / 1365U (10 cores 1.8GHZ)

Graphic:
Graphic Intel® UHD

Storage:
SO-DIMM max. 64GB (standard 8GB)

1006xxxx IPC-P12-T Intel i3 1305U

1006xxxx IPC-P12-T Intel i3 1315U

1006xxxx IPC-P12-T Intel i5 1335U

1006xxxx IPC-P12-T Intel i5 1345U

1006xxxx IPC-P12-T Intel i7 1355U

1006xxxx IPC-P12-T Intel i7 1365U

Intel® Core (gen. 14th) / Chipset: Meteor Lake

Ultra 5-125U / 135U (12 cores 1.3GHZ)
Ultra 7-155U / 165U (12 cores 1.7GHZ)

Graphic:
Graphic Intel® Arc

Storage:
SO-DIMM max. 64GB (standard 16GB)

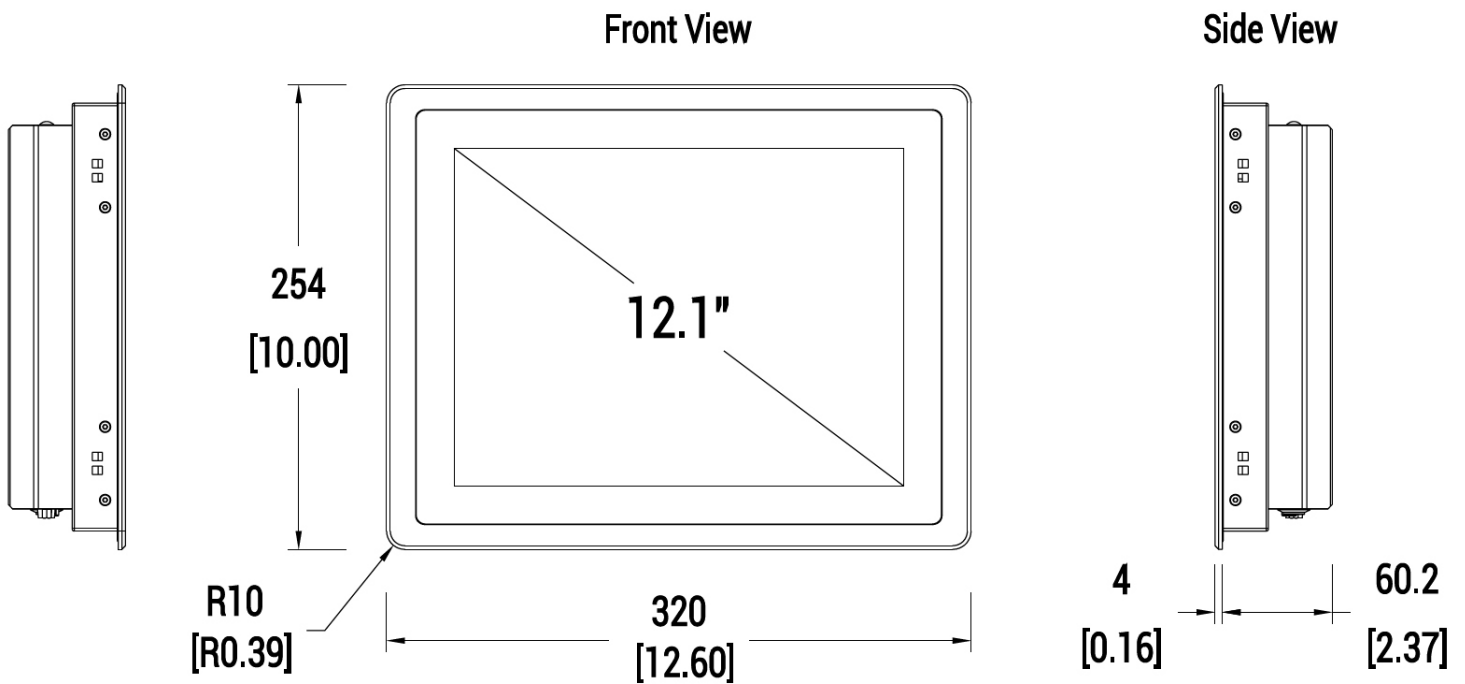
1006xxxx IPC-P12-T Intel Ultra 5 125U

1006xxxx IPC-P12-T Intel Ultra 5 135U

1006xxxx IPC-P12-T Intel Ultra 7 155U

1006xxxx IPC-P12-T Intel Ultra 7 165U

dimensions in mm [Inch]

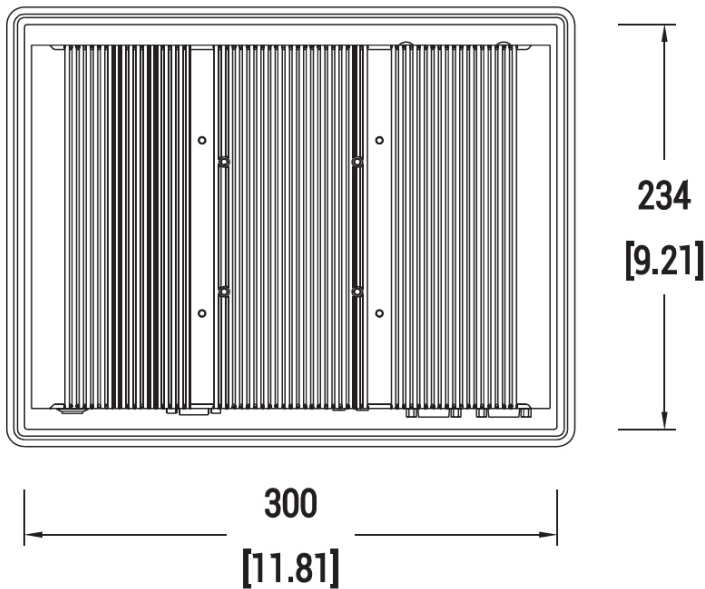


Bottom View

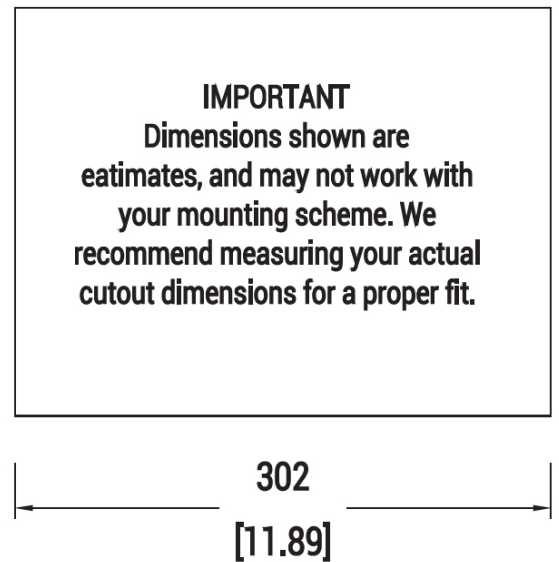


Top View

Rear View



Cutout Dimension



12.1"

