

# IPC-A17-T

## Android Panel-PC 17"



### Overview:

- various Android processors applicable
- screen size 17"
- 32 GB Storage / 4 GB RAM
- 1 x Ethernet / LAN
- mounting via clamping system or VESA 75 / 100
- resistive Touchscreen 5-wire USB or capacitive Multitouch
- WiFi

### Description:

The IPC-A17-T panel PCs are compact devices featuring a 17" TFT display including touchscreen and are ideally suited for information terminals. The system operates fanless and can be equipped with various processors. Mounting via rear clamping system in a panel cutout. In addition, the devices can be mounted via VESA on support arms or similar mounting systems.

### Technical Data:

#### **Overview:**

Panel-PC, 17" TFT / LCD, Touchscreen

#### **resolution:**

1280x1024

#### **storage:**

32 GB, 4GB RAM (Standard)

#### **Interface:**

3x USB, 2x TTL, 1x LAN, 1x TF Card  
VGA, HDMI, 2x Audio in

#### **Software:**

Android

#### **ventilation:**

fanless

#### **power supply:**

12VDC via external wide-range-power supply  
100-240VAC

#### **mounting:**

via rear clamping system or VESA 75/100

#### **control:**

touchscreen resistive / optional capacitive

#### **mechanical dimensions:**

frontpanel: 413 x 350 x 4 mm, silver anodised  
cutout: 394,7 x 322,2 mm

#### **case:**

Aluminum cooling cover and metal enclosure

#### **environmental temperature:**

Operating: -10-50°C with 10-90% Humidity Range

#### **protection class:**

front IP65 and back IP40

#### **Certification:**

CE/ FCC/RoHS

### Part numbers:

**10060391** Option capacitive Multitouch (10 Finger)

**10060392** Option RAM 8GB

**10060xxx** Option 64GB Storage

**10060xxx** Option desktop stand

# IPC-A17-T

## Android Panel-PC 17"



### Processors:

#### **Android 7.1.2**

RK3288

#### **Chipset:**

Quad core Cortex-A17 GPU Mail-T764

### Part numbers:

**1006xxxx** IPC-A17-T Android PC 17" RK3288

#### **Android 9**

RK3399

#### **Chipset:**

dual-core Cortex-A72 / quad-core Cortex-A53

**10060xxx** IPC-A17-T Android PC 17" RK3399

#### **Android 11**

RK3566

#### **Chipset:**

Quad core Cortex-A55 1.8Ghz

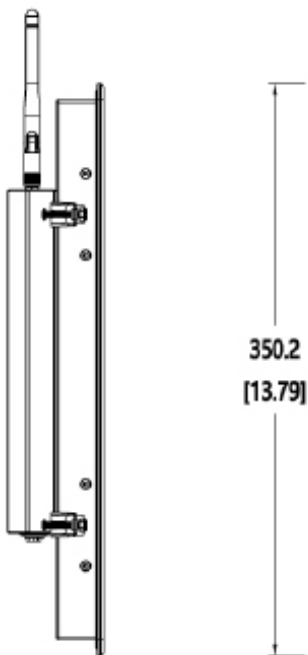
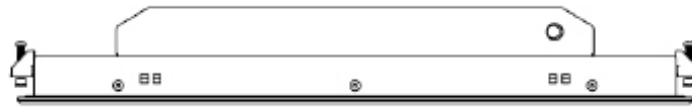
**1006xxxx** IPC-A17-T Android PC 17" RK3566

# IPC-A17-T

## Android Panel-PC 17"

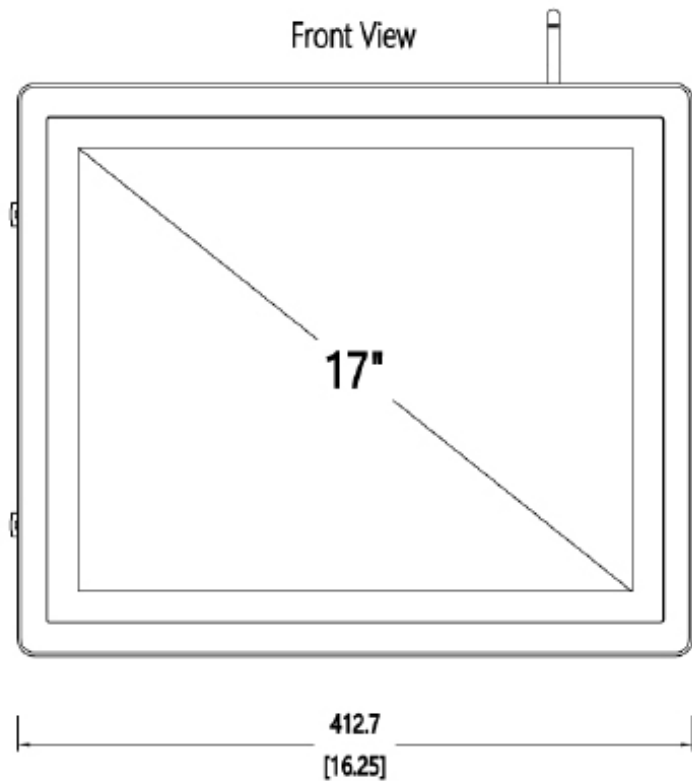


dimensions in mm [Inch]

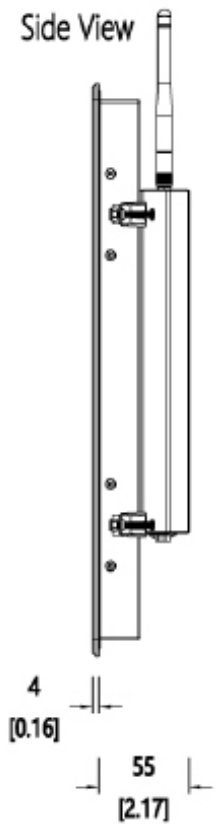


350.2  
[13.79]

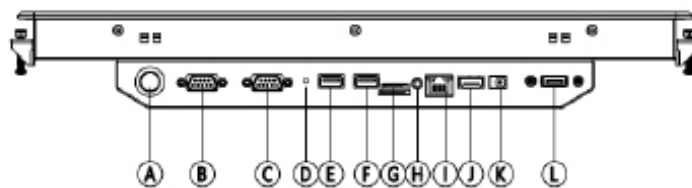
Front View



Side View



Bottom View



- |           |             |             |          |           |       |
|-----------|-------------|-------------|----------|-----------|-------|
| Ⓐ ON/OFF  | Ⓑ UART(TTL) | Ⓒ UART(TTL) | Ⓓ Ground | Ⓔ USB     | Ⓕ USB |
| Ⓖ TF card | Ⓗ Line-out  | Ⓘ LAN       | Ⓝ HDMI   | Ⓚ DC12V5A | Ⓛ USB |

