

IPC-A15-6-T

Android Panel-PC 15,6"



Overview:

- various Android processors applicable
- screen size 15,6" widescreen
- 32 GB Storage / 4 GB RAM
- 1 x Ethernet / LAN
- mounting via clamping system or VESA 75 / 100
- resistive Touchscreen 5-wire USB or capacitive Multitouch
- WiFi

Description:

The IPC-A15-6-T panel PCs are compact devices featuring a 15,6" widescreen TFT display including touchscreen and are ideally suited for information terminals. The system operates fanless and can be equipped with various processors. Mounting via rear clamping system in a panel cutout. In addition, the devices can be mounted via VESA on support arms or similar mounting systems.

Technical Data:

Overview:

Panel-PC, 15,6" TFT / LCD, Touchscreen

resolution:

1920x1080

storage:

32 GB, 4GB RAM (Standard)

Interface:

3x USB, 2x TTL, 1x LAN, 1x TF Card
VGA, HDMI, 2x Audio in

Software:

Android

ventilation:

fanless

power supply:

12VDC via external wide-range-power supply
100-240VAC

mounting:

via rear clamping system or VESA 75/100

control:

touchscreen resistive / optional capacitive

mechanical dimensions:

frontpanel: 419 x 269 x 4 mm, silver anodised
cutout: 401 x 251 mm

case:

Aluminum cooling cover and metal enclosure

environmental temperature:

Operating: -10-50°C with 10-90% Humidity Range

protection class:

front IP65 and back IP40

Certification:

CE/ FCC/RoHS

Part numbers:

10060391 Option capacitive Multitouch (10 Finger)

10060392 Option RAM 8GB

10060xxx Option 64GB Storage

10060xxx Option desktop stand

IPC-A15-6-T

Android Panel-PC 15,6"



Processors:

Android 7.1.2

RK3288

Chipset:

Quad core Cortex-A17 GPU Mail-T764

Part numbers:

1006xxxx IPC-A15-6-T Android PC 15,6" RK3288

Android 9

RK3399

Chipset:

dual-core Cortex-A72 / quad-core Cortex-A53

10060xxx IPC-A15-6-T Android PC 15,6" RK3399

Android 11

RK3566

Chipset:

Quad core Cortex-A55 1.8Ghz

1006xxxx IPC-A15-6-T Android PC 15,6" RK3566

IPC-A15-6-T

Android Panel-PC 15,6"

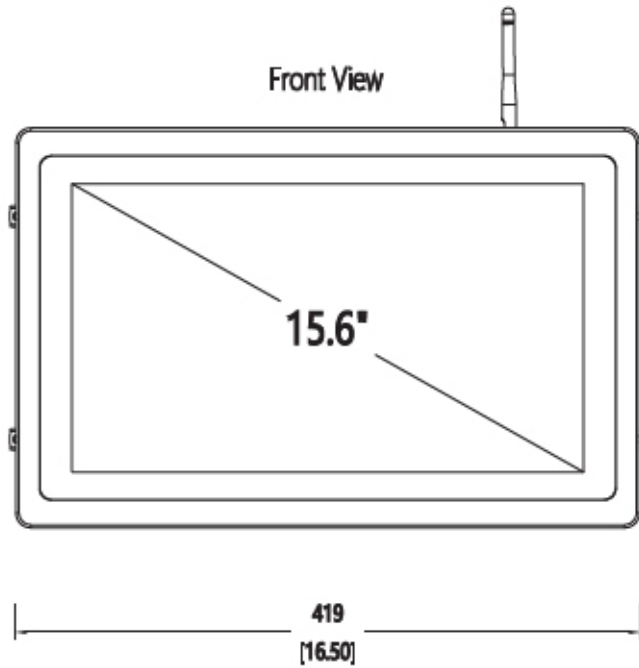


dimensions in mm [Inch]

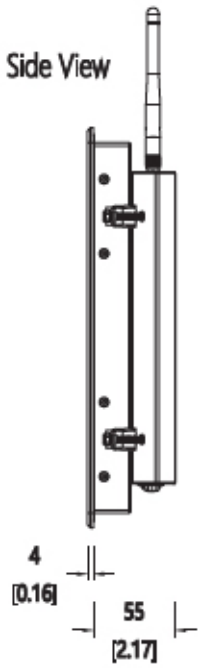
Top View



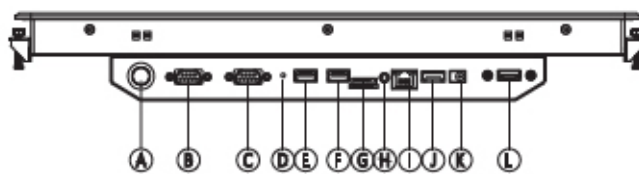
Front View



Side View



Bottom View



- | | | | | | |
|-----------|-------------|-------------|----------|-----------|-------|
| Ⓐ ON/OFF | Ⓑ UART(TTL) | Ⓒ UART(TTL) | Ⓓ Ground | Ⓔ USB | Ⓕ USB |
| Ⓖ TF card | Ⓗ Line-out | Ⓘ LAN | Ⓝ HDMI | Ⓚ DC12V5A | Ⓛ USB |

